

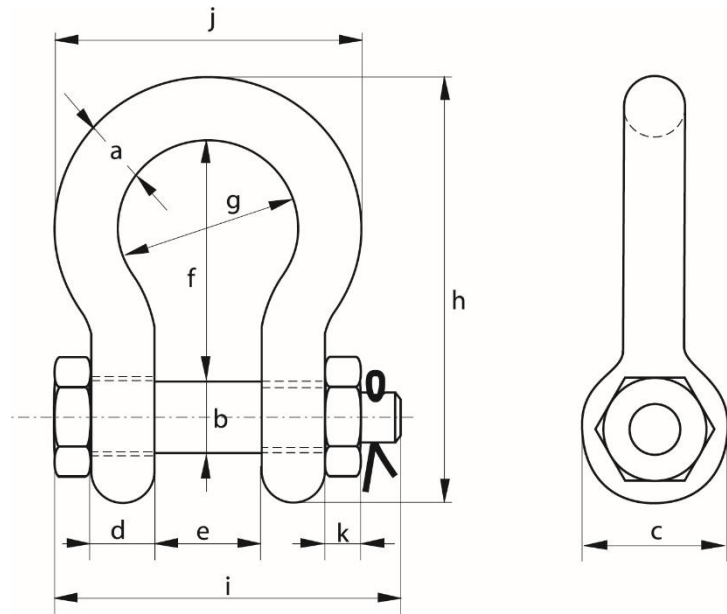
Bullivants

Green Pin® - Safety Bow Shackles Alloy Grade 6 – Galvanised



Main Features:

- Double safety (cotter pin and safety bolt)
- Galvanisation assures long term durability
- Conforms to a wide range of certifications (e.g. DNV)



Specifications – Metric Thread:

Bullivants Mfr No.	WLL t	a mm	b mm	c mm	d mm	e mm	f mm	g mm	h mm	i mm	j mm	k mm	Weight kg
WSS-0010-SA-B-GP	1.0	10	11	23	10	17	37	26	64	60	46	8	0.16
WSS-0015-SA-B-GP	1.5	11	13	25	11	19	43	29	73	67	51	11	0.22
WSS-0020-SA-B-GP	2.0	13.5	16	34	13	22	51	32	90	80	59	13	0.42
WSS-0032-SA-B-GP	3.25	16	19	40	16	27	64	43	110	98	75	17	0.74
WSS-0047-SA-B-GP	4.75	19	22	46	19	31	76	51	129	115	89	19	1.18
WSS-0065-SA-B-GP	6.5	22	25	52	22	36	83	58	144	130	102	22	1.77
WSS-0085-SA-B-GP	8.5	25	28	59	25	43	95	68	164	150	118	25	2.58
WSS-0095-SA-B-GP	9.5	28	32	67	28	47	108	75	186	166	131	27	3.66
WSS-0120-SA-B-GP	12	32	35	73	32	51	115	83	201	184	147	30	4.91
WSS-0135-SA-B-GP	13.5	35	38	79	35	57	133	92	227	197	162	33	6.54
WSS-0170-SA-B-GP	17	38	42	88	38	60	146	99	249	202	175	19	8.19
WSS-0250-SA-B-GP	25	45	50	104	45	74	178	126	300	243	216	23	14
WSS-0350-SA-B-GP	35	50	57	112	50	83	197	138	332	269	238	26	18.8
WSS-0425-SA-B-GP	42.5	57	65	132	57	95	222	160	378	301	274	29	28.3
WSS-0550-SA-B-GP	55	65	70	145	65	105	260	180	433	329	310	32	39.6
WSS-0850-SA-B-GP	85	75	83	167	75	127	330	190	530	381	340	39	62