

Bullivants

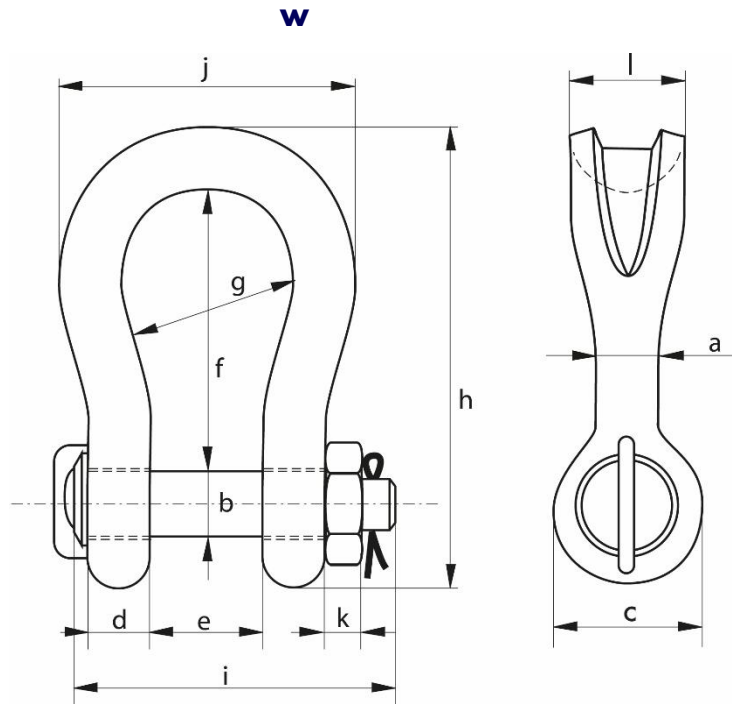
Green Pin® - Safety Bow Sling Saver

Grade 8 – Painted



Main Features:

- Saves on cost of wire/synthetic slings due to less wear
- Excellent choice for heavy lifting projects
- Double safety (cotter pin and safety bolt)
- Conforms to wide range of certification



Specifications – Metric Thread:

Bullivants Mfr No.	WLL t	a mm	c mm	l mm	b mm	d mm	e mm	f mm	g mm	h mm	i mm	j mm	k mm	Weight kg
WSS-0400-SS-B-GP	40*	55	109	93	51	45	84	199	140	331	252	235	38	0.16
WSS-0550-SS-B-GP	55*	60	115	100	57	55	90	240	160	389	294	270	45	30.4
WSS-0750-SS-B-GP	75	68	126	120	70	54	110	290	185	473	317	331	40	45
WSS-1250-SS-B-GP	125	85	156	150	80	85	137	366	220	583	413	390	40	92
WSS-1500-SS-B-GP	150	94	181	170	95	89	147	391	253	648	445	449	50	140
WSS-2000-SS-B-GP	200	110	201	205	105	100	158	481	280	759	480	500	50	205
WSS-3000-SS-B-GP	300	136	246	265	134	134	195	601	350	946	590	620	70	360

*Hot dipped galvanised
Other sizes available on request